

INGLETT™

8800

Model
8800

Inglett™ Net Weigh Gravity-Gravity (**GG**) Series
Duplex Bagging Scale

The 8800 GG duplex scale is designed to deliver optimum bagging speed and consistency in weight accuracy when packaging free-flowing and semi-free-flowing products. The unit comes with a 2.1 or 2.8 CF air-operated, double-door weigh hopper suspended from dual strain gauge weigh sensor modules mounted in a dust-tight, air-purged compartment. The unit's FASTRAC V™ interactive software package is easy to use and requires minimal input for operating the unit's two-stage feeder system, gravity bulk and gravity dribble (GG). The software also automatically calibrates the scale and monitors various operating functions. Based on product flow characteristics, the 8800 duplex scale will process flat and gusseted multi-wall paper, polyester, and woven polypropylene bags from 10 to 24 inches wide. The versatile 8800 GG duplex can be used in conjunction with our automatic bag hanger or 3560/3597 automated handling systems. Available for purchase is a special anti-corrosion package for most hostile environments.

8800 Series Product Applications
Blended granular fertilizers and chemicals

Speed and accuracy dependent on product flow characteristics
22 weighments per minute at +/- 1 to 2 oz.

Simplex version also available

FISCHBEIN® COMPANY

Smart Solutions™ Bag weighing-handling-closing

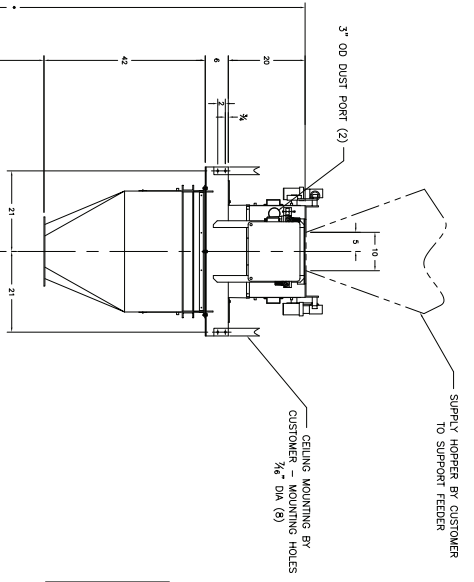
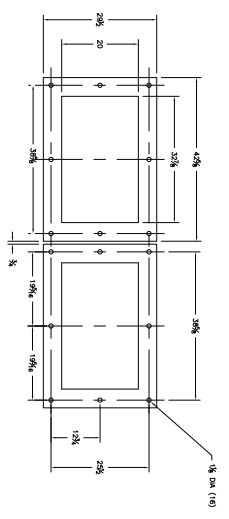
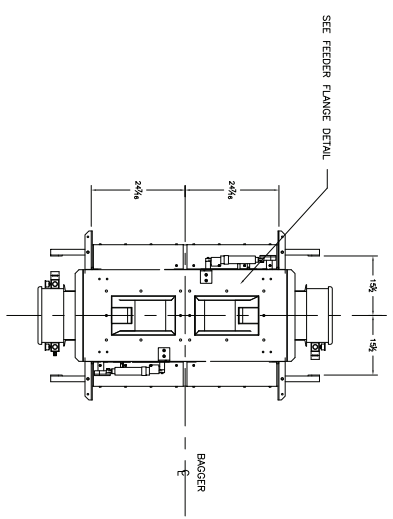
www.fischbein.com

Fischbein is a registered trademark of Fischbein Company.
Inglett is a trademark of Fischbein Company.

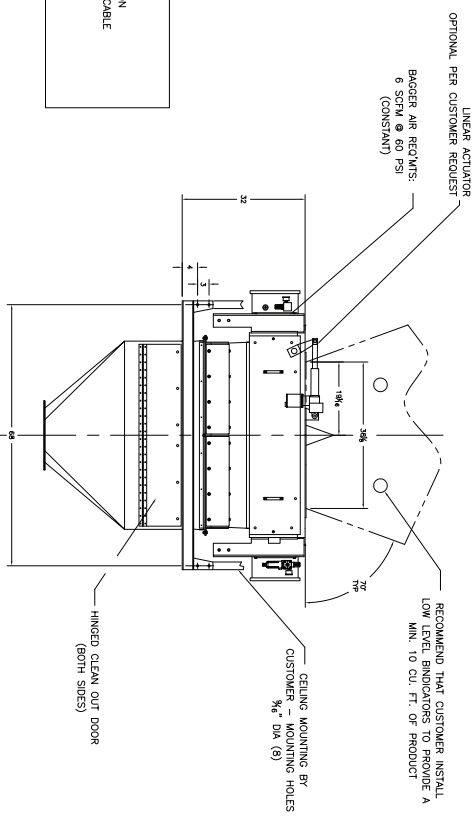
151 Walker Road
Statesville, N.C. 28625
704.871.1159
sales@fischbein.com

INGLETT™ SAXON® FISCHBEIN® NESTAFLEX® MAXX®

8800 Inglett™ Net Weigh Gravity-Gravity (GG) Series Duplex Bagging Scale



NOTES:
 (1) BAGGER CONTROL BOX MOUNTED REMOTE ON FLOOR STAND WITH 25 FEET OF LEAD-IN CABLE.
 (2) ELECTRICAL REQUIREMENTS: CONTROL CIRCUIT: 115V - 1PH - 60HZ



• INSTALLATION HEIGHT DETERMINED BY CUSTOMER

BAGGER

FLOOR LEVEL

BAGGER

FISCHBEN CO. COMPANY/NET WEIGH™ GRAVITY-GRAVITY™ (GG) SERIES		FISCHBEN LLC	
DATE: 4/12/07	REV: 1	DATE: 4/12/07	REV: 1
BY: JMM	CHK: JMM	BY: JMM	CHK: JMM
DESIGN: JMM	DATE: 4/12/07	DESIGN: JMM	DATE: 4/12/07
APP: JMM	DATE: 4/12/07	APP: JMM	DATE: 4/12/07
SCALE: 3/4\"/>			