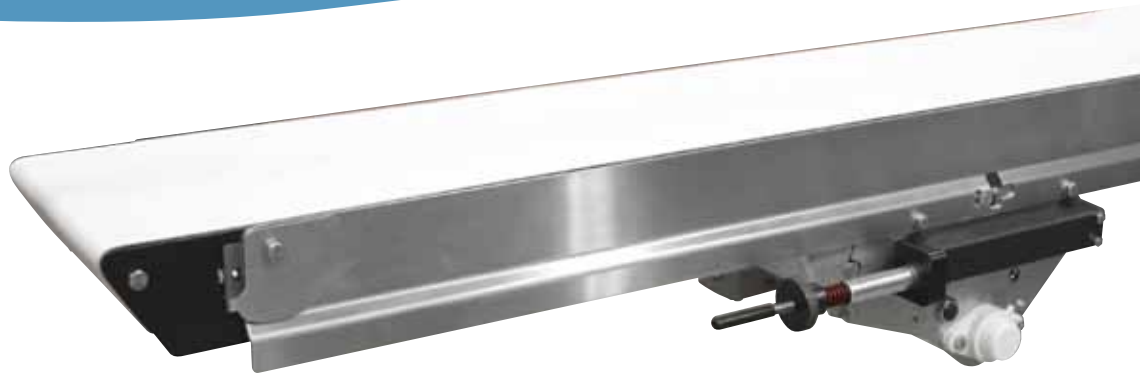


# AquaGard® 7360 SERIES: FLAT BELT CENTER DRIVE

## Specifications:

- Loads up to 500 lbs (227 kg)
- Belt Speeds up to 300 ft/min (91 m/min)
- Belt Widths: 4" (102mm) to 52" (1,321 mm)
- Lengths: 4' (1,219mm) to 83' (25,298 mm)
- 16" of Belt Take-up
- (2) Methods of Automatic Belt Take-up
  - Pneumatic Cylinder
  - Spring Loaded
- Wearstrip material is Hard Coat Aluminum
- TIG welded 304 stainless steel frames
- One revolution of drive pulleys moves the belt approximately 11"
- FDA approved belting and plastic components
- CE models available

\* Conveyor load capacity depends on conveyor size, incline, motor position, accumulated loads and other factors.



OPTIONAL:  
Adjustable Scraper

## Features & Benefits:

- Automatic belt take-up system adjusts for belt stretch and changing load conditions improving belt life and minimizing maintenance.
- Nosebar tail option is available on both ends of the conveyor for small part transfers
- Lengths to 83' long for product cooling applications
- Frame is constructed of TIG welded 304 stainless steel and features open design with minimal horizontal surfaces
- Hard coat anodized aluminum wear strips located in welded cross members for durable belt support
- Mount controls and accessories fast with no drilling required includes adjustable guiding, photo eyes, low voltage wires, controls, and air tubing
- Flexible guiding packages for a variety of applications including fully adjustable single and twin rail, and high side
- Spindle has groove for V-guided belt and optimum performance
- Conveyor is suitable for wipe-down and occasional pressurized liquid spray cleaning up to 100 psi max



V-Guided Belt  
Tracking



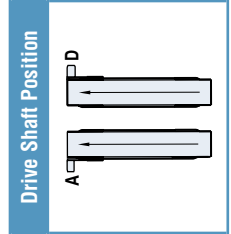
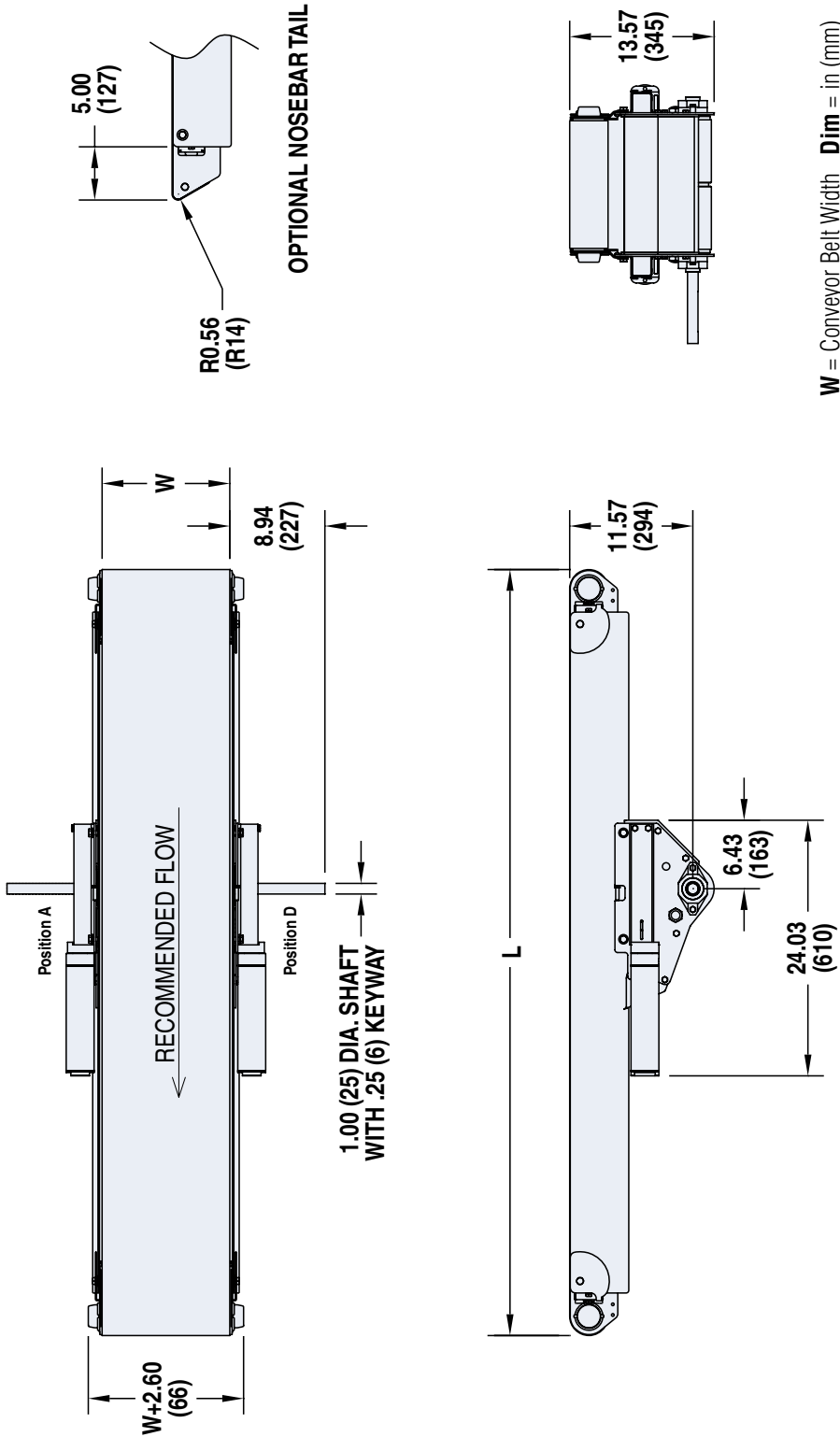
Tip-Up Tail



1" Nose Bar Tail

Order gearmotor mounting packages and gearmotors separately, see pages 281-289.  
For support stands and accessories, see pages 290-298.

For ordering information, see page 299



| STANDARD SIZES            |               |                               |
|---------------------------|---------------|-------------------------------|
| Conveyor Width Reference  | 04            | 02 increments up to...        |
| Conveyor Belt Width (W)   | 4" (102mm)    | 2" (51mm) increments up to... |
| Conveyor Length Reference | 048           | 001 increments up to...       |
| Conveyor Length (L)       | 48" (1,219mm) | 1" (25mm) increments up to... |
|                           |               | 52                            |
|                           |               | 52" (1,321mm)                 |
|                           |               | 999                           |
|                           |               | 999" (25,375mm)               |

For more information, go to [www.dorner.com](http://www.dorner.com). Call 800.397.8664 or 262.367.7600.  
Due to the wide variety of drive set ups and applications, point of installation guarding is the responsibility of the end user.