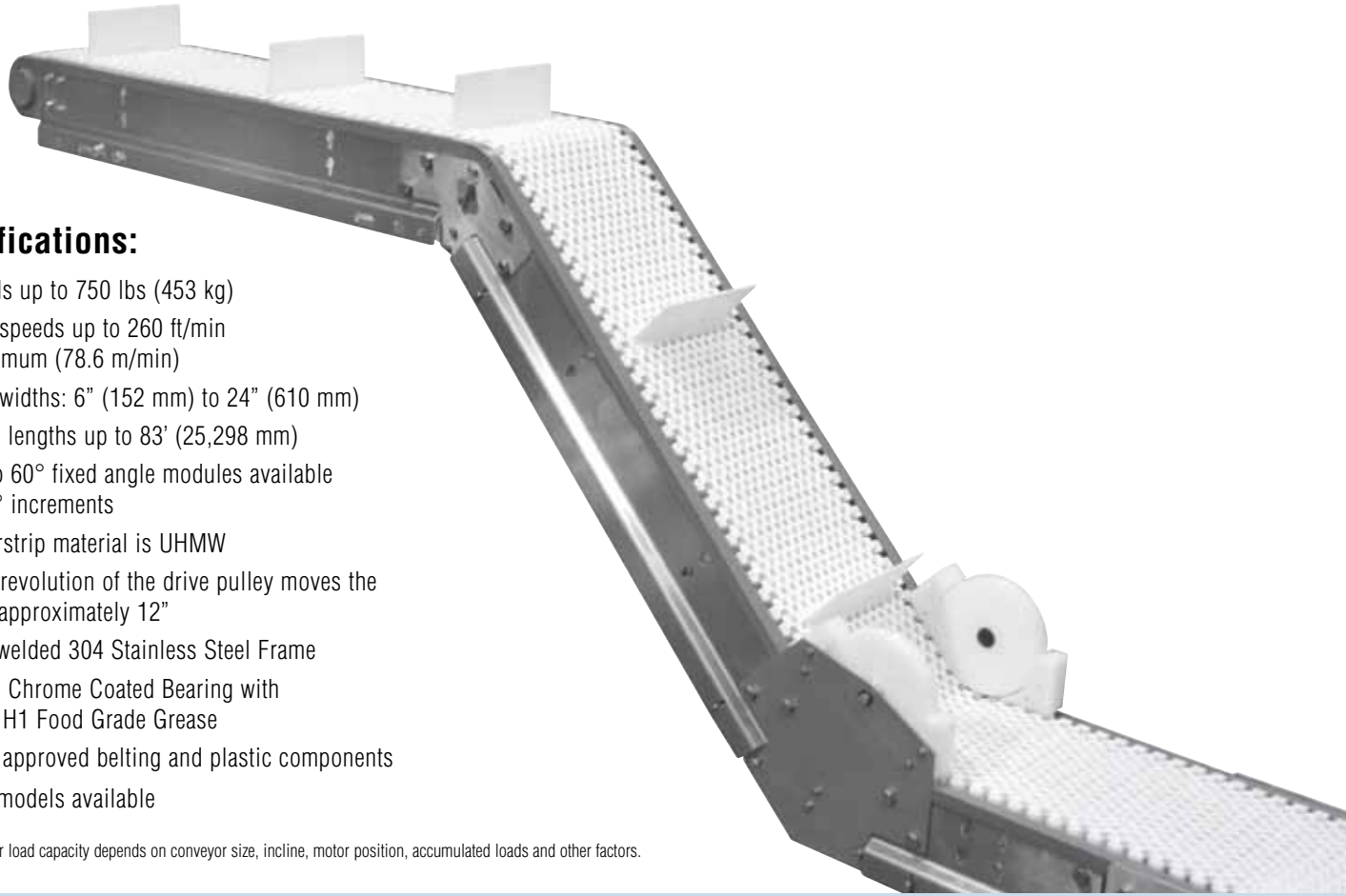


Specifications:

- Loads up to 750 lbs (453 kg)
- Belt speeds up to 260 ft/min maximum (78.6 m/min)
- Belt widths: 6" (152 mm) to 24" (610 mm)
- Total lengths up to 83' (25,298 mm)
- 5° to 60° fixed angle modules available in 5° increments
- Wearstrip material is UHMW
- One revolution of the drive pulley moves the belt approximately 12"
- TIG welded 304 Stainless Steel Frame
- Hard Chrome Coated Bearing with FDA H1 Food Grade Grease
- FDA approved belting and plastic components
- CE models available

* Conveyor load capacity depends on conveyor size, incline, motor position, accumulated loads and other factors.



Features & Benefits:

- Frame is constructed of TIG welded 304 stainless steel and features open design with minimal horizontal surfaces
- Solid UHMW wear strips located in welded cross members for durable belt support
- Mount controls and accessories fast with no drilling required includes adjustable guiding, photo eyes, low voltage wires, controls, and air tubing
- Flexible guiding packages for a variety of applications including fully adjustable single and twin rail, and high side
- Conveyor is suitable for wipe-down and occasional pressurized liquid spray cleaning up to 100 psi max



High Side Guides

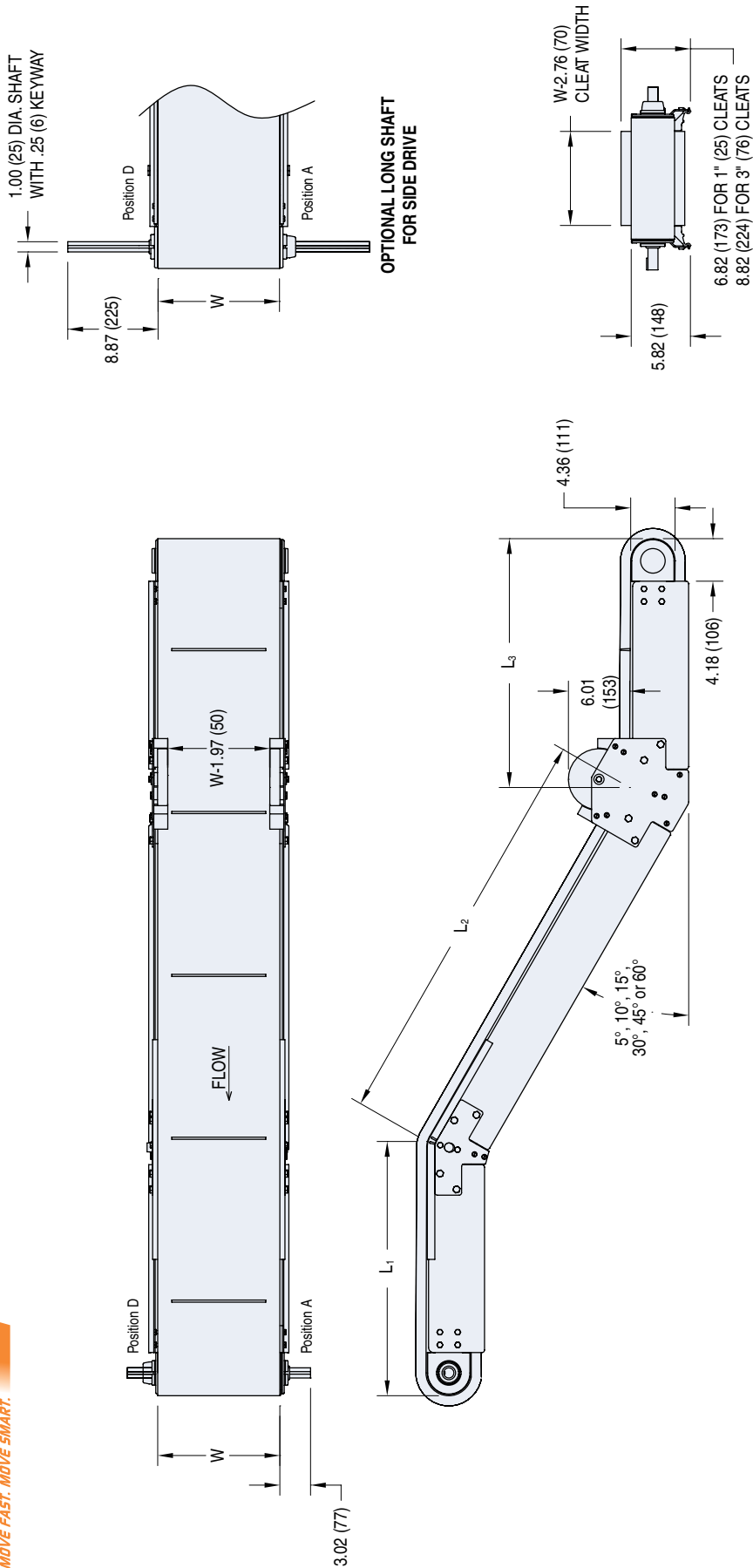


No Drilling with Innovative Key Hole & Mounting Rod

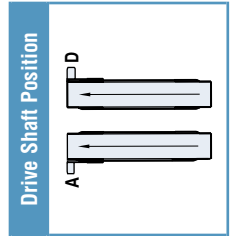


Z-Frame Configurations

Order gearmotor mounting packages and gearmotors separately, see pages 237-246.
For support stands and accessories, see pages 247-256.



W = Conveyor Belt Width Dim = in (mm)



STANDARD SIZES			
Conveyor Width Reference	06	02 increments up to ...	24
Conveyor Belt Width (W)	6" (152mm)	2" (51mm) increments up to ...	24" (610mm)
Conveyor Length Reference	024	001 increments up to ...	999
Conveyor Length (L ₁ , L ₂ , L ₃)	24" (610mm)	1" (25mm) increments up to ...	999" (25,375mm)

Note: Nose Bar drive conveyors have a minimum conveyor length of 48"

For more information, go to www.dorner.com. Call 800.397.8664 or 262.367.7600.
Due to the wide variety of drive set ups and applications, point of installation guarding is the responsibility of the end user.