



Precision Move Servo Gearmotor

Features:

- Standard bottom and flush mount bottom drive configurations
- Indexes per minute rating = 100 per minute
- Conveyor/Drive Package Index accuracy = ± 0.040

Motor:

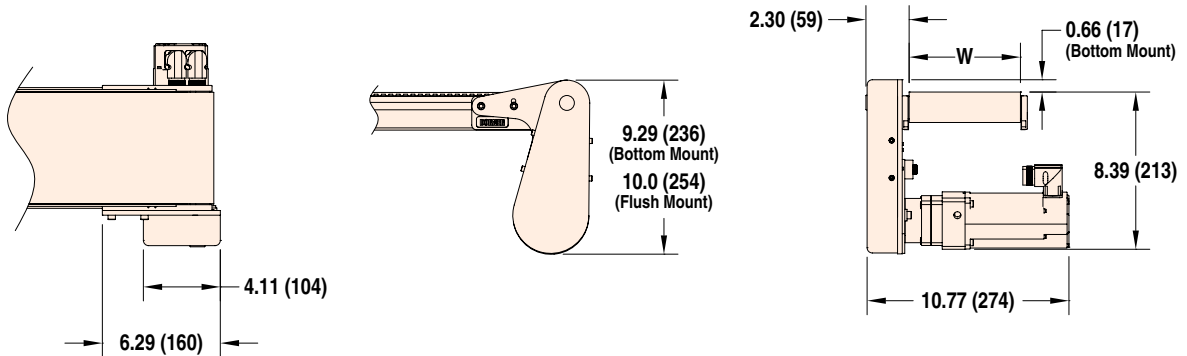
- Kollmorgen AKM Series Motor
- Brushless DC Servomotor with encoder
- 80 mm Frame
- 1.02 kW
- Up to 640 VDC input
- Up to 2.62 amps
- Quick disconnect power and communication fittings
- UL, CE, RoHS Compliant

Gearbox:

- Inline Planetary Reducer
- 4:1 Ratio
- 93% efficient
- 13 arc-minute backlash
- 20,000 hr rated
- RoHS compliant



Part Number	Controller Voltage	Max Belt Speed (Ft/min)		Min Belt Speed (Ft/min)	Torque (in-lb)	RPM
		Bottom Mount	Flush Mount			
22M004PR2B1KW	115V input	166	253	10	79	325
	230V input	276	420	10	79	625



Precision Move Servo Bottom and Flush Mount Package

Features:

- Capable of standard bottom mount position and flush mount for wide product handling
- Includes rack and pinion timing belt tension system providing reversing capability
- Includes high strength timing belt drive pulleys

Description	Motor / Gearhead	Part Number	Gearmotor Pulley	Conveyor Pulley
Bottom Mount	Servo Gearmotor	202436-A*	36 tooth	32 tooth
Flush Mount	Servo Gearmotor	202437-A*	36 tooth	21 tooth
Bottom Mount	Nema 34 Gearhead	202436-A*	36 tooth	32 tooth
Flush Mount	Nema 34 Gearhead	202437-A*	36 tooth	21 tooth

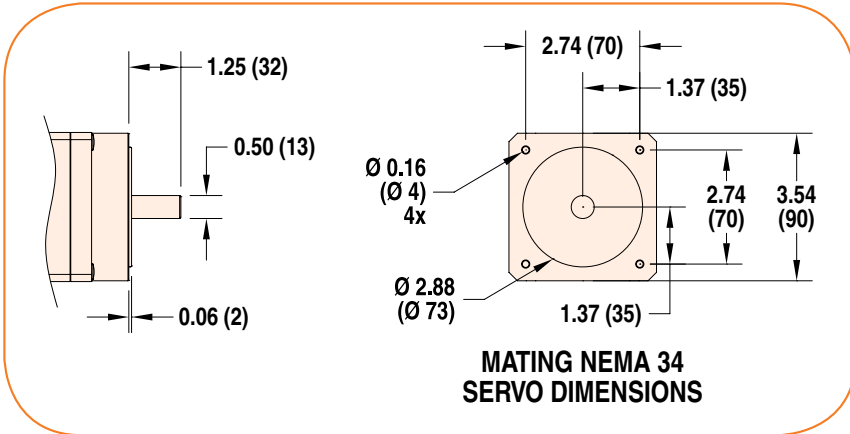
*A = Mount position (A, B, C, D)



Due to the wide variety of drive set ups and applications, point of installation guarding is the responsibility of the end user.

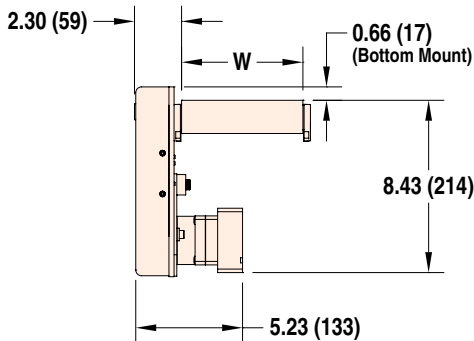
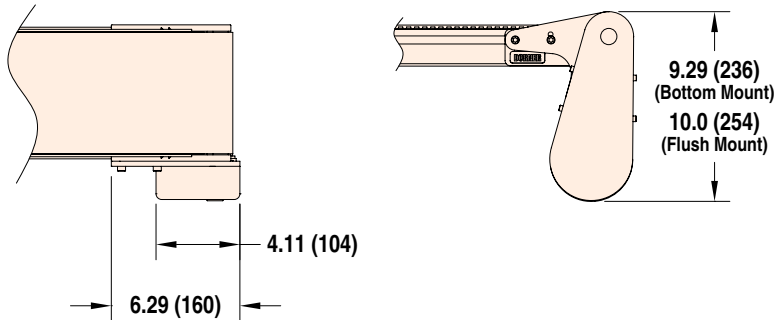
Precision Move Servo Gearhead Only

Part Number	Effective Reduction Ratio		Conveyor Speed Multiply Factor	
	Bottom Mount	Flush Mount	Bottom Mount	Flush Mount
22M004PRN34	3.556 : 1	2.333 : 1	(Motor RPM) (0.111)	(Motor RPM) (0.169)



Features:

- Offered as mount package and gearhead only
- Standard Nema 34 input mounting dimensions
- Inline planetary reducer
- 4:1 ratio
- 93% efficient
- 13 arc-minute backlash
- 20,000 hr rated
- RoHS compliant



Due to the wide variety of drive set ups and applications, point of installation guarding is the responsibility of the end user.